

MINITEMP™

Portable Infrared Thermometer



Noncontact Temperature Measurement



MiniTemp™

The new way to measure temperatures

Raytek MiniTemp is pocket-sized and easy to use—just point, shoot and read the temperature on the large backlit display. When you need a fast, easy, safe way to measure surface temperature, you need a MiniTemp noncontact thermometer. Use MiniTemp at work, at home, anywhere.

CHOICE OF MODELS

Choose between MiniTemp MT2, no laser sighting, or MiniTemp MT4, with laser sighting. Both models are powered by a 9V battery and display temperatures in either °C or °F. An accessory pack including a pouch and wrist strap is also available.

APPLICATIONS

Automotive - Troubleshoot engines including ignition system problems and fuel/air adjustments. Diagnose cooling systems including thermostats and coolant sensors; radiators; brakes; and tires.

HVAC - Balance room temperatures, monitor supply/return registers, check furnace performance, perform energy audits, and check window insulation.

Electrical - Check electrical panels for hot spots, find defective transformers, and detect loose electrical connections.

Food safety - Check holding, serving, and storage temperatures, maintain freezers, ovens, ranges, and dishwashers.

And more - Hundreds of work, home, and recreational applications.

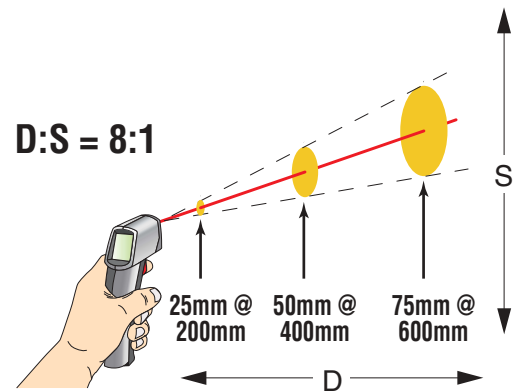
- Simple to use
- Instant readings
- Laser Point™ (MT4)
- Large, easy to read display
- Temperature Range -18° to 275°C
- °C or °F selectable

MINITEMP Specifications

Temperature range	-18 to 275°C
Accuracy (23°C ambient temperature)	-1°C to 275°C ±2% or ±2°C whichever is greater -18°C to -1°C ±3°C
Repeatability	±2% of reading, or ±2°C, whichever is greater
Response time	500 mSec, 95% response
Spectral response	7–18 μm
Emissivity*	pre-set 0.95
Ambient operating range	0 to 50°C
Relative humidity	10–95% RH noncondensing, @ up to 30°C
Storage temperature	-20° to 65°C without battery
Weight / Dimensions	227 g ; 152 x 101 x 38 mm
Power	9V Alkaline or NiCd battery (included)
Battery life (Alkaline)	22 hrs (MT2) 12 hrs (MT4)
Laser Class II	No (MT2) Yes (MT4)
Typical distance to target (Spot)	Up to 1.5 m
Distance to spot (D:S)	8:1 (see diagram)
Additional options/Accessories	Nylon holster

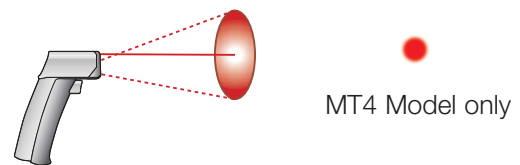
*For more information on emissivity for unique applications visit
www.raytek.com/emissivity.htm

Optical Resolution



The MiniTemp is intended for close range targets, measuring a minimum target area of 25 mm in diameter out to a distance of approximately 200 mm, and has a 150 mm target measurement area at 1.5 m.

Laser Sighting



Laser Point™ Single-point laser indicates the approximate center of the target spot.

www.raytek.com

for up-to-the-minute features

Worldwide Headquarters

Raytek Corporation
1201 Shaffer Rd. PO Box 1820
Santa Cruz, CA USA
Tel: 1 800 866 5478
1 831 458 1110
Fax: 1 831 425 4561
solutions@raytek.com

Raytek de Mexico, S.A. de C.V.

Puebla, Pue. Mexico
Tel: 52 222 230 4380
Fax: 52 222 230 4438
ventas@raytek.com.mx

Raytek China Company

Beijing, China
Tel: 86 10 6439 2255
Fax: 86 10 6437 0285
info@raytek.com.cn

Raytek Japan, Inc.

Osaka, Japan
Tel: 81 6 4390 5015
Fax: 81 6 4390 5016
info@raytekjapan.co.jp

South American Headquarters

Raytek do Brasil
Sorocaba, SP Brasil
Tel: 55 15 32176046
Fax: 55 15 32175694
raytek@raytek.com.br

European Headquarters

Raytek GmbH
Berlin, Germany
Tel: 49 30 4 78 00 8 400
Fax: 49 30 4 71 02 51
raytek@raytek.de

Raytek UK

Milton Keynes, United Kingdom
Tel: 44 1908 630800
Fax: 44 1908 630900
ukinfo@raytek.com

Raytek France

Palaiseau, France
Tel: 33 1 64 53 15 40
Fax: 33 1 64 53 15 44
info@raytek.fr



© 2002 Raytek (56003 Rev. C) 11/2002
Raytek and the Raytek logo are registered trademarks, and
MiniTemp and Laser Point are trademarks of Raytek
Corporation. Specifications subject to change without notice.

Raytek®