

## ORDER / FÖRFRÅGAN ORDER / ENQUIRY

### Commutator

From \_\_\_\_\_

Fax No. \_\_\_\_\_

**Motor fabrikat**

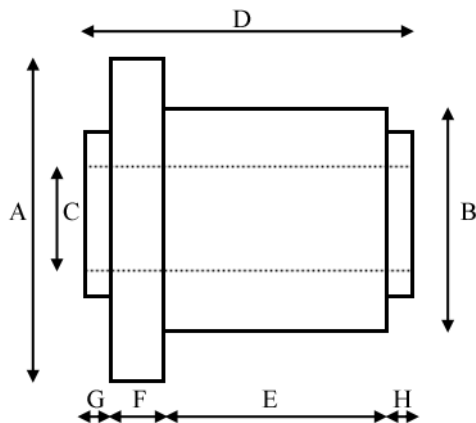
Motor brand \_\_\_\_\_

**Motor typ**

Motor type \_\_\_\_\_

Gjuten / molded

V-Ringad / build up



**Antal lameller**

No of segments \_\_\_\_\_

**A Dia nedledarhals**

A Dia over Risers \_\_\_\_\_

**B Dia Borstbana**

B Dia over brushtrack \_\_\_\_\_

**C Dia centrumhål**

C Dia of Bore \_\_\_\_\_

**D Total längd**

D Length Overall \_\_\_\_\_

**E Längd borstbana**

E Length Brush Track \_\_\_\_\_

**F Bredd nedledarhalsar**

F Width of Risers \_\_\_\_\_

**G Bredd inre isolering**

G Width of Rear Extn \_\_\_\_\_

**H Bredd yttre isolering**

H Width of Front Extn \_\_\_\_\_

**J Bredd nedledarspår**

J Riser Sloth Width \_\_\_\_\_

**K Djup nedledarspår**

K Riser Sloth Depth \_\_\_\_\_

**L Kilspår**

L Keyway alignment \_\_\_\_\_

**Tätning**

Sealing \_\_\_\_\_

**Märkspänning**

Working Voltage \_\_\_\_\_

**Önskat antal**

Quantity \_\_\_\_\_

**Leveranstid**

Delivery req. \_\_\_\_\_

Temperatur på kommutatorn under normal drift / Working temperature minimum \_\_\_\_\_

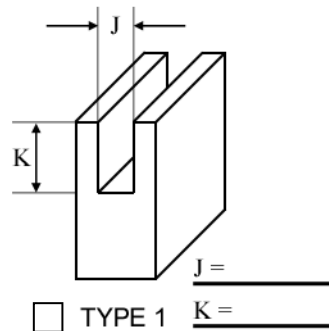
Temperatur på kommutatorn under hög belastning / Working temperature maximum \_\_\_\_\_

### Nedledare

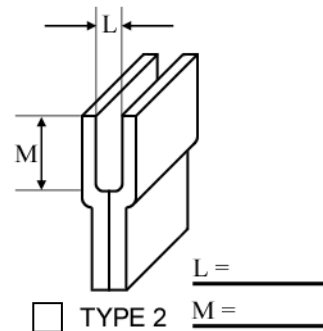
Type of Risers

**Förtenta**  
Tinned

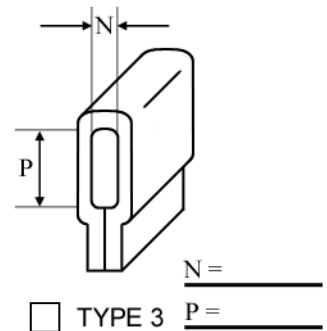
**Oförtenta**  
Not tinned



TYPE 1 J = \_\_\_\_\_  
K = \_\_\_\_\_



TYPE 2 L = \_\_\_\_\_  
M = \_\_\_\_\_



TYPE 3 N = \_\_\_\_\_  
P = \_\_\_\_\_

Underskrift / Signature \_\_\_\_\_

Datum / Date \_\_\_\_\_

**Vi levererar också kommutatorer ombyggda på befintliga nav.**

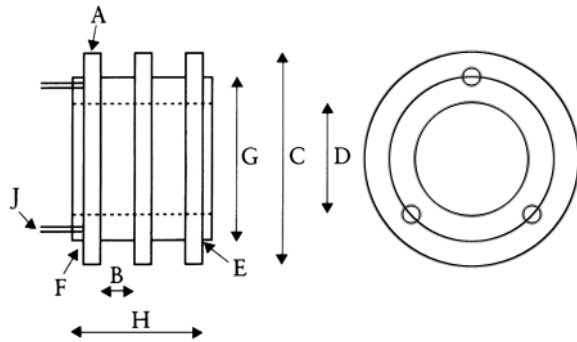
**Formulär för Släpningar VÄND!**

## ORDER / FÖRFRÅGAN ORDER / ENQUIRY

### Slip rings

From \_\_\_\_\_

Fax No. \_\_\_\_\_



**Antal ringar**

No of rings \_\_\_\_\_

**A Bredd ringar**

A Width of rings \_\_\_\_\_

**B Avstånd mellan ringar**

B Distance between rings \_\_\_\_\_

**C Diameter ringar**

C Diameter of rings \_\_\_\_\_

**D Diameter centrumhål**

D Diameter of bore \_\_\_\_\_

**E Bredd isolering efter sista ring**

E Width of rear extrusion \_\_\_\_\_

**F Bredd isolering anslutningsida**

F Width of front extrusion \_\_\_\_\_

**G Diameter isolering**

G Diameter of insulation \_\_\_\_\_

**H Total längd**

H Overall length \_\_\_\_\_

**J Storlek anslutning (typ M6)**

J Stud size \_\_\_\_\_

**Märkspänning**

Working Voltage \_\_\_\_\_

**Max hastighet**

Max speed \_\_\_\_\_

**Önskat antal**

Quantity \_\_\_\_\_

**Leveranstid**

Delivery req. \_\_\_\_\_

**OBS!**

Remarks \_\_\_\_\_

\_\_\_\_\_

\_\_\_\_\_

Underskrift / Signature \_\_\_\_\_ Datum / Date \_\_\_\_\_